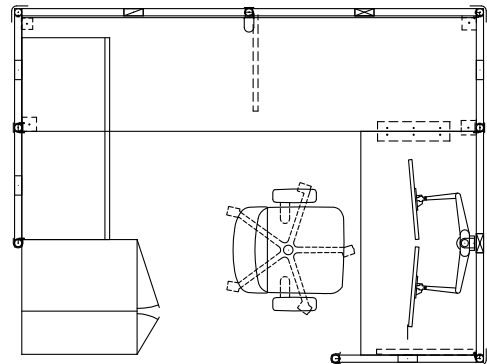




Footprint: 6' x 8'
Overview: Open Shelving
Tower Storage
Boost Monitor Arm
Icon



Item	Part Number	Part Description	Qty	List	Ext List
EQUITY					
1	EB1C20L	Cantilever, Left Hand, 20" <i>Black</i>	1	\$90.00	\$90.00
2	EB1C20R	Cantilever, Right Hand, 20" <i>Black</i>	1	\$90.00	\$90.00
3	EB1F24	Flat Bracket, 24" <i>Black</i>	1	\$45.00	\$45.00
4	EB1PWSP	Panel-to-Worksurface Bracket, Left & Right Pair <i>Black</i>	2	\$29.00	\$58.00
5	EP3AOPG2415	Add-On Screen, 24Wx15H, Plexiglass <i>201</i> <i>CL</i> <i>PAINT: Cream</i> <i>PLEXI: Clear</i>	3	\$709.00	\$2,127.00
6	EP3AOPG3015	Add-On Screen, 30Wx15H, Plexiglass <i>201</i> <i>CL</i> <i>PAINT: Cream</i> <i>PLEXI: Clear</i>	1	\$749.00	\$749.00
7	EP3AOPG4815	Add-On Screen, 48Wx15H, Plexiglass <i>201</i> <i>CL</i> <i>PAINT: Cream</i> <i>PLEXI: Clear</i>	3	\$966.00	\$2,898.00
8	EP3FA2449N	Fabric Panel, no knockouts, 24Wx49H, Beveled Top <i>201</i> <i>F3007</i> <i>IC</i> <i>PAINT: Cream</i> <i>FABRIC: Candid (GrA)</i> <i>PLEXI: Ice</i>	3	\$640.00	\$1,920.00
9	EP3FA3049N	Fabric Panel, no knockouts, 30Wx49H, Beveled Top <i>201</i> <i>F3007</i> <i>IC</i> <i>PAINT: Cream</i> <i>FABRIC: Candid (GrA)</i> <i>PLEXI: Ice</i>	1	\$690.00	\$690.00
10	EP3FA4849N	Fabric Panel, no knockouts, 48Wx49H, Beveled Top <i>201</i> <i>F3007</i> <i>IC</i> <i>PAINT: Cream</i> <i>FABRIC: Candid (GrA)</i> <i>PLEXI: Ice</i>	3	\$860.00	\$2,580.00
11	EP3P49E	Post Assembly, End, 49H <i>201</i> <i>PAINT: Cream</i>	2	\$168.00	\$336.00
12	EP3P49L	Post Assembly, 90 Deg. "L", 49H <i>201</i> <i>PAINT: Cream</i>	3	\$153.00	\$459.00
13	EP3P49S	Post Assembly, Straight, 49H <i>201</i> <i>PAINT: Cream</i>	3	\$152.00	\$456.00

Item	Part Number	Part Description	Qty	List	Ext List
EQUITY					
14	EW14824G2	Worksurface, Rectangular, EW1, 48Wx24D, Scallop (grommet 2)	1	\$470.00	\$470.00
	SW-MNM	LAMINATE: Mission Maple			
	EB-MNM	EDGE BANDS: Mission Maple			
15	EW19624G2	Worksurface, Rectangular, EW1, 96Wx24D, Scallop (grommet 2)	1	\$685.00	\$685.00
	SW-MNM	LAMINATE: Mission Maple			
	EB-MNM	EDGE BANDS: Mission Maple			
				Sub-Total	\$13,653.00
<hr/>					
STORAGE					
16	SLATS142	42W Box/File Open Shelf Lateral Metal Top	1	\$1,007.00	\$1,007.00
	201	PAINT: Cream			
17	STWR4624BBFLJ	Left open 46" Tower, BBF, J Pull Handle	1	\$2,147.00	\$2,147.00
	201	PAINT: Cream			
				Sub-Total	\$3,154.00
<hr/>					
ELECTRICAL					
18	EE1C48-8	Conduit Jumper, 8-Wire, 41-1/2L, E Series	1	\$141.00	\$141.00
19	EE1C72-8	Conduit Jumper, 8-Wire, 65-1/2L, E Series	1	\$170.00	\$170.00
20	EE1R1	Duplex Receptacle, Circuit #1, E Series	2	\$50.00	\$100.00
21	EE1R4D	Duplex Receptacle, Circuit #4, E Series, Dedicated for 3+1,2+2,3+3	1	\$50.00	\$50.00
22	EE1TB-8	Terminal Block, 8-Wire, E Series	3	\$56.00	\$168.00
				Sub-Total	\$629.00

Item	Part Number	Part Description	Qty	List	Ext List
WORKPLACE ACCESORIES					
23	KCG-110DS	Boost monitor dual arm, silver	1	\$917.00	\$917.00
			Sub-Total		\$917.00
<hr/>					
SEATING					
24	ICON4653	Mesh Back, Medium Upholstered Seat, Knee-tilt mech, No Arms	1	\$787.00	\$787.00
			Sub-Total		\$787.00
<hr/>					
				GRAND TOTAL	\$19,140.00