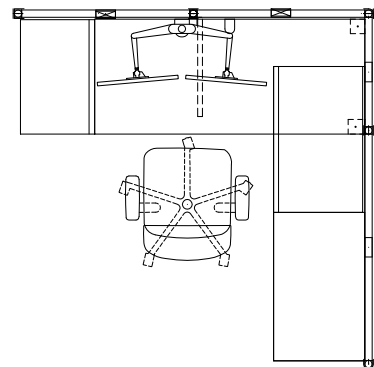




Footprint: 6' x 6'

Overview: Open Shelving
Cushion Top Lateral Storage
Side Access Tower Storage
Boost Monitor Arm
Icon



Item	Part Number	Part Description	Qty	List	Ext List
EQUITY					
1	EB1C20L	Cantilever, Left Hand, 20"	1	\$90.00	\$90.00
2	EB1PWSP	Panel-to-Worksurface Bracket, Left & Right Pair <i>Black</i>	1	\$29.00	\$29.00
3	EP1SPC17	Stack-On Post, Standard, 17H <i>201 PAINT: Cream</i>	1	\$155.00	\$155.00
4	EP2SPG3617N	Stack-On Insert Panel, 36Wx17H without slots, Plexiglass <i>201 PAINT: Cream</i> <i>CL PLEXI: Clear</i>	2	\$867.00	\$1,734.00
5	EP3DP4966	Post, Dual Height, 49/66H <i>201 PAINT: Cream</i>	2	\$175.00	\$350.00
6	EP3FA2449K	Fabric Panel, with knockouts, 24Wx49H, Beveled Top <i>201 PAINT: Cream</i> <i>F3007 FABRIC: Candid (GrA)</i> <i>IC PLEXI: Ice</i>	1	\$640.00	\$640.00
7	EP3FA3649K	Fabric Panel, with knockouts, 36Wx49H, Beveled Top <i>201 PAINT: Cream</i> <i>F3007 FABRIC: Candid (GrA)</i> <i>IC PLEXI: Ice</i>	2	\$760.00	\$1,520.00
8	EP3FA4849K	Fabric Panel, with knockouts, 48Wx49H, Beveled Top <i>201 PAINT: Cream</i> <i>F3007 FABRIC: Candid (GrA)</i> <i>IC PLEXI: Ice</i>	1	\$860.00	\$860.00
9	EP3P49E	Post Assembly, End, 49H <i>201 PAINT: Cream</i>	1	\$168.00	\$168.00
10	EP3P49S	Post Assembly, Straight, 49H <i>201 PAINT: Cream</i>	2	\$152.00	\$304.00
11	EP3PCEP	Post Connector, End with Post <i>201 PAINT: Cream</i>	2	\$37.00	\$74.00
12	EP3PCMF	Post Connector, Mult-Height Filler <i>201 PAINT: Cream</i>	1	\$37.00	\$37.00
13	EP3SEP	Raceway Shroud, End with Post	1	\$47.00	\$47.00

Item	Part Number	Part Description	Qty	List	Ext List
EQUITY					
14	EP3SL	Raceway Shroud, Outside "L"	1	\$37.00	\$37.00
	201	PAINT: Cream			
15	EPNPCMF	Post Connector, Multi-Height Filler, Flat Top	2	\$37.00	\$74.00
	201	PAINT: Cream			
16	EPNPCS	Post Connector, Straight, Flat Top	1	\$37.00	\$37.00
	201	PAINT: Cream			
17	EW15424G2EE	Worksurface, Rectangular, EW1, 54Wx24D, Scallop (grommet 2), Extended 2 Ends	1	\$542.00	\$542.00
	SW-MNM	LAMINATE: Mission Maple			
	EB-MNM	EDGE BANDS: Mission Maple			
				Sub-Total	\$6,698.00
STORAGE					
18	LT60	Double 30"W lateral top	1	\$410.00	\$410.00
	SW-MNM	LAMINATE: Mission Maple			
19	SCLAT130J	30W Box/File Lateral Cushion Top, J PULL HANDLE	1	\$1,374.00	\$1,374.00
	201	PAINT: Cream			
	CW	COUNTERWEIGHT			
20	SLATS130	30W Box/File Open Shelf Lateral Metal Top	1	\$807.00	\$807.00
	201	PAINT: Cream			
21	SSAT4615BBFRJ	46"H BBF, Right Open, 15" Side Access Tower, J Pull Handle \$	1	\$1,397.00	\$1,397.00
	201	PAINT: Cream			
				Sub-Total	\$3,988.00
ELECTRICAL					
22	EE1C36-8	Conduit Jumper, 8-Wire, 29-1/2L, E Series	1	\$124.00	\$124.00
23	EE1R1	Duplex Receptacle, Circuit #1, E Series	2	\$50.00	\$100.00
24	EE1TB-8	Terminal Block, 8-Wire, E Series	2	\$56.00	\$112.00
				Sub-Total	\$336.00

Item	Part Number	Part Description	Qty	List	Ext List
WORKPLACE ACCESORIES					
25	KCG-110DS	Boost monitor dual arm, silver	1	\$917.00	\$917.00
			Sub-Total		\$917.00
SEATING					
26	ICON4653	Mesh Back, Medium Upholstered Seat, Knee-tilt mech, No Arms	1	\$787.00	\$787.00
			Sub-Total		\$787.00
				GRAND TOTAL	\$13,052.00